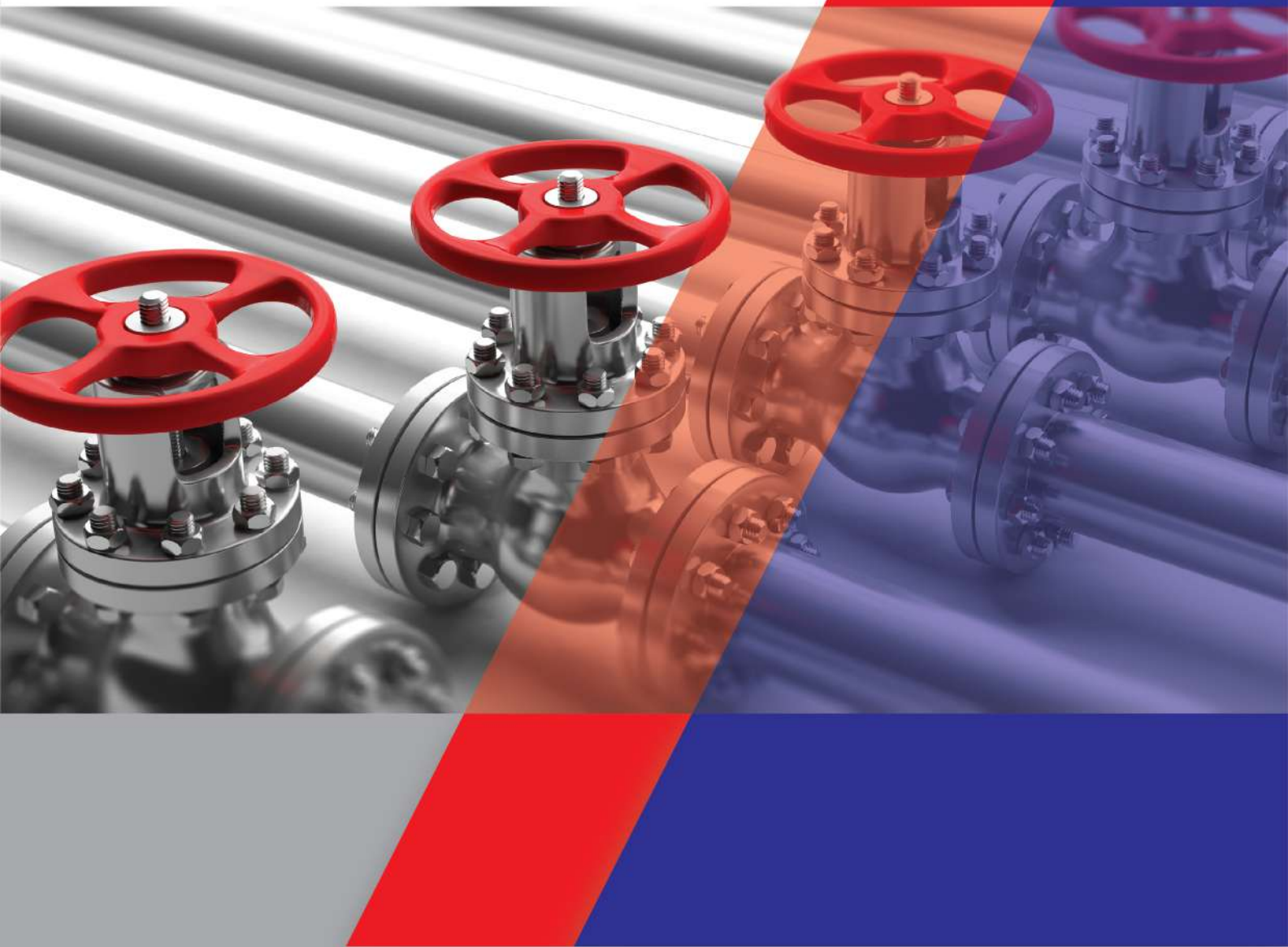




**SAS Global**

In Quality, We Trust



***A COMPLETE FLUID CONTROL &  
DISPENSING MATERIALS SOLUTION.***

---



## ABOUT US

SAS GLOBAL OILFIELD (L.L.C) is an ISO 9001-2018 Company located in Dubai- United Arab Emirates as one of the leading stockiest& suppliers of Industrial & Marine Valves, Piping materials for complete range of Carbon Steel, Stainless Steel, Alloy steel & other special steel Pipes, Butt-Weld Fittings, Forged Fittings, Flanges, Tubing, Casings, Isolation Joints, Gaskets, Nuts & Bolts, Etc. to serve the Oil & Gas, Petrochemical, Power, Mining, Water Desalination, Ship Building & Marine Industries.

---



## **VISION**

The vision of our management from their expertise in years in the same industry will expand the capacity of catering our emergency customers at any critical requirement. Our Project management division will plan & manage the requirements from the Bidding stages up to the execution efficiently.

## **QUALITY**

Our quality team guarantees you that all your requirements will be handled with highest priority to meet the customer requirements with relevant specification.

## **MANAGEMENT**

Our professional Management information System leads the inventory management & the operational infrastructure is enabling us to keep the tractability of materials & documents at any point of time.

---

# OUR PRODUCTS

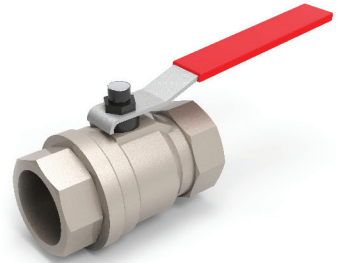
## VALVES



Gate Valves



Globe Valves



Ball Valves



Check Valves



Butterfly Valves

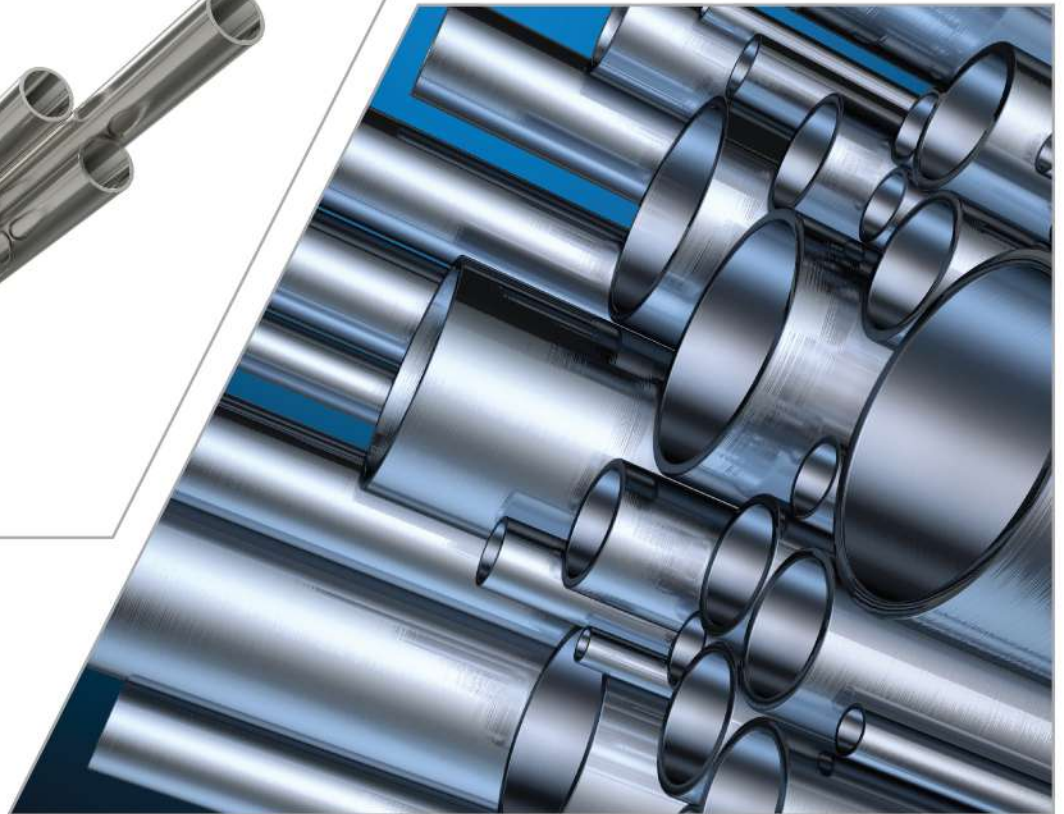
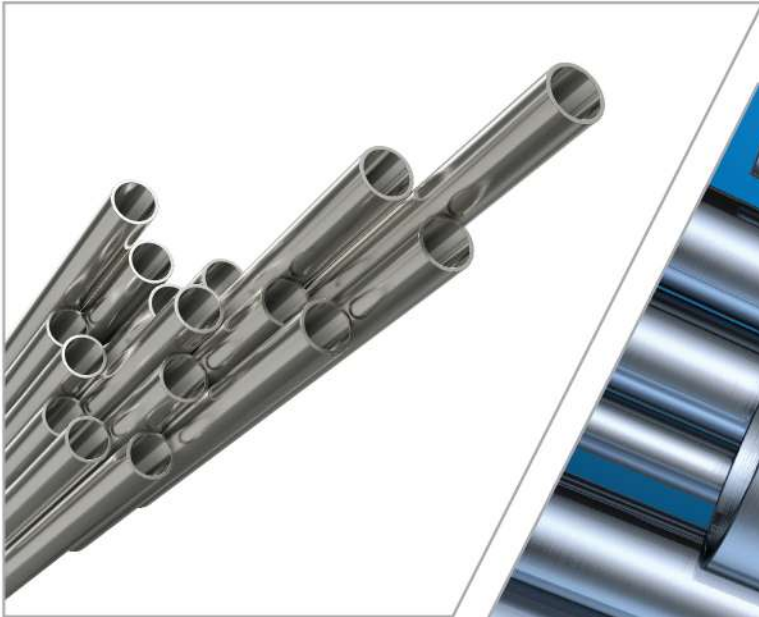


Y-Strainers

## MATERIALS / STANDARDS / GRADES

<b>MATERIALS</b>	Cast Iron / Ductile Iron / Cast Steel / Bronze / Stainless Steel
<b>STANDARDS</b>	<b>ANSI :</b> 150#, 300#, 600#, 900#, 1500#, 2500# in Sizes from ½" to 48" <b>DIN :</b> PN10/PN16/PN25 <b>JIS :</b> 5K/10K/16K
<b>GRADES</b>	Carbon Steel & Stainless Steel grades in A105, A350 LF2/LF6, A182 GR 316/316L, 304/304L, A216 WCB, A351 CF3/CF3M/CF8/CF8M

## PIPES & TUBES



### MATERIALS / STANDARDS / GRADES

<b>MATERIALS</b>	Carbon Steel, Stainless Steel, Low Temp, Alloy Steel, Duplex/Super Duplex, Special Alloys/Nickel Titanium Alloys in Seamless & Welded
<b>STANDARDS</b>	<b>ASME, ANSI B36.10/B36.19</b>
<b>GRADES</b>	API5L/A106/A53 GR B, X42, X52, X56, X60, X70, X80 (PSL1 & PSL2) ASTM A333 GR 6, A671 GR CC60 /CC65/CC70, CL 12, 22 A335 GR P1/P5/P9/P11/P22 ASTM A312-TP316/316L & TP 304/304L, 321 ASTM A790, ASTM A928, Nickel 200/Nickel201/Monel-400/Monel-600

# OUR PRODUCTS

## FLANGES



## MATERIALS / STANDARDS / GRADES

<b>MATERIALS</b>	Carbon Steel, Stainless Steel, Alloy Steel & other Steel Nickel Alloy & Copper Alloy (Cu-NI)
<b>STANDARDS</b>	<b>ANSI :</b> 150#, 300#, 600#, 900#, 1500#, 2500# in Sizes from ½" to 60" <b>API :</b> 2000 to 20,000 <b>DIN :</b> PN10/PN16/PN25 <b>JIS :</b> JIS 2220 5K/10K/16K
<b>GRADES</b>	ASTM A 105 N, ASTM A 350 LF2 & LF3 ASTM A 182 F 304 /304L, F 316/316L, F 321, F 347, F44, F51 ASTM A 182-F5, F5A, F9, F11, F12 &F22, ASTM A 694 F 42, F52, F60, F65
<b>TYPE</b>	WNRF, BLIND RF, SORF, SOFF, SWRF, Threaded RF, RTJ Flanges, Weld Neck Flanges, Reducing Flanges, SWIVEL Flanges, ORIFICE Flanges, & Anchor Flanges.

## BUTTWELD FITTINGS



### MATERIALS / STANDARDS / GRADES

<b>MATERIALS</b>	Carbon Steel, Stainless Steel & other Steel Nickel Alloy & Copper Alloy (Cu-Ni)
<b>STANDARDS</b>	ASTM in Sizes from ½" to 24" in Seamless & above up to 84" in Welded
<b>GRADES</b>	ASTM A234 WPB, ASTM A420 WPL 6, WPL3, WP5, WP9, WP11, WP22 ASTM A403 304/304L, 316/316L, WP321, WP347, WPS31254 ASTM A815 UNS31803, UNS 32750& UNS 32760 ASTM A860 WPHY-42, 46, 52, 60, 65 & MSS SP75-WPHY 46, 52, 60, 65
<b>TYPE</b>	Elbows (90°/45°/180°, 1.5D, 3D, 5D Bends), Equal & Un Equal Tee, Lateral Tee, Barred Tea, Cross, Concentric / Eccentric Reducers & Cap.

# OUR PRODUCTS

## FORGED FITTINGS



## MATERIALS / STANDARDS / GRADES

<b>MATERIALS</b>	Forged Steel, Stainless Steel, Alloy Steel & Duplex/ Super Duplex Steel
<b>STANDARDS</b>	<b>ASTM:</b> 3000#, 6000#, 9000# (SW, NPT & BSPT) in Sizes from ½" to 6"
<b>GRADES</b>	ASTM A 105 N, ASTM A 350 LF1, LF2 & LF3 ASTM A 182 F5 F9, F11, F22, F91 ASTM A 182 F316/316L, F 304/304L, F317, F321, F347, F304H, F44, F51 & F53
<b>TYPE</b>	Elbow, Tee, Reducing Tee, Cap, Bushing, Coupling, Union, Boss, Plug, Nipple, Barrel Nipple, Street Elbow, Weldolets, Sockolets, Elbow lets, Flangolets, Thredolets, Latrolets & Swage/Hex Nipples

## HOSES & HOSE FITTINGS



### MATERIALS / STANDARDS / GRADES

#### MATERIALS

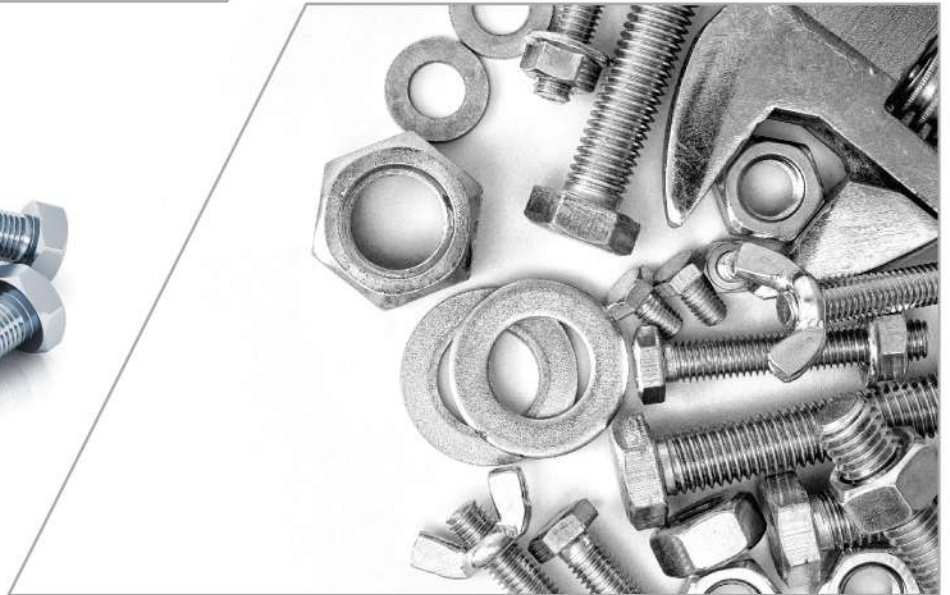
Hoses: Rubber, Nylon, PVC Fiber/Steel wire Braided Hoses  
 Fittings: Stainless Steel, Brass, Aluminum, Carbon Steel,  
 Bronze & Galvanized

#### TYPE

Hoses: Hydraulic Hoses, Multi-Purpose, High Pressure &  
 High Temperature Etc.  
 Fittings: Quick Closing Coupling, Cam Lock, NPT, BSP, NIT, Chicago Etc.

# OUR PRODUCTS

## STUDS & BOLTS



## MATERIALS / STANDARDS / GRADES

### MATERIALS

Alloy Steels, Stainless Steel, Carbon Steel, Exotics, Duplex/  
Super Duplex, Monel, Brass, Nylon etc.

### TYPE

Stud Bolts, Hex Bolts, Nuts, Washers, Anchor Bolts, in Bare Condition,  
Galvanized, Cadmium Plated, Chrome Plated, HDG etc.

# GASKETS



## MATERIALS / STANDARDS / GRADES

### TYPE

- Spiral Wound Gaskets
- Ring Joint Gaskets
- Insulation KITS
- Asbestos / Non-Asbestos Gaskets
- Expansion Joints
- Heat Exchanger Gaskets
- Rubber Gaskets
- Compression Packing's etc

# OUR PRODUCTS

## INSTRUMENTS



## MATERIALS / STANDARDS / GRADES

### TYPE

- Actuators
- Flow Measurement Products
- Level Measurement Products
- Pressure Measurement Products
- Recorders and Controllers
- Temperature Measurement Products

”

No one knows oil & gas industry  
Better than us !



## HEAD OFFICE & SALES DIVISION

---

**SAS GLOBAL OILFIELD LLC.**

#804-30B, Sapphire Tower, Port Saeed,  
Deira, PO Box: 42501, Dubai (UAE).

+971 55 173 1577 | [info@sasglobaloilfield.com](mailto:info@sasglobaloilfield.com)

[sasglobaloilfield.com](http://sasglobaloilfield.com)